

Instructions – Parts List



308546S

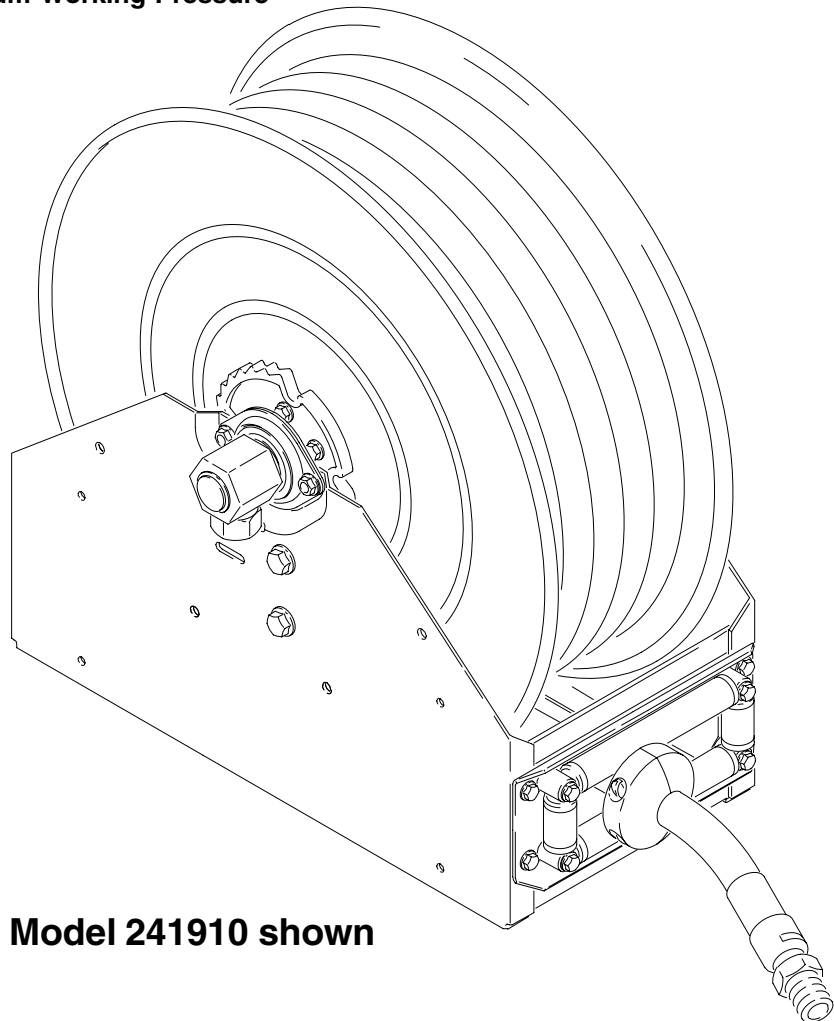
Series 700 Hose Reels

EN

These reels are used in applications requiring long range dispense, transfer, or evacuation of fuels, lubricants, other automotive fluids, and air, in markets including mobile equipment servicing, heavy construction, and industrial plants.



Read warnings and instructions.
See page 3 for **List of Models**
including **Maximum Working Pressure**
ratings.



Model 241910 shown

05265

PROVEN QUALITY. LEADING TECHNOLOGY.

GRACO INC. P.O. BOX 1441 MINNEAPOLIS, MN 55440-1441
Copyright 1995, Graco Inc. is registered to I.S. EN ISO 9001



Table of Contents

List of Models	3	Service	
Warnings	4	Swivel	16
Installation		Spring Canister	17
Typical Layout	7	Reel Ratchet and Dog	17
Accessories and Restrictions	8	Parts List	18
Air Line Accessories	8	Parts Drawing	19
Fluid Line Accessories	8	Accessories	
Required Installation Accessories	8	Identification Labels	20
Mounting Restrictions	8	Reel Mounting Kit	20
Roller Support Arm	9	Roller Support Kit	20
Overhead Reel Installation	9	Technical Data	21
Mounting Options	10	Dimensions	22
All Mountings	10	Graco Standard Warranty	24
Overhead Mounting to an I-Beam	11	Graco Information	24
Installing a Hose	12		
Adjusting Spring Tension	13		
Maintenance			
Pressure Relief Procedure	14		
Replacing the Service Hose	14		
Oiling the Hose Rollers	15		

List of Models

Model	Recommended Mounting Position	Hose Stop Kit	Hose Part No.	Hose Length	Hose Diameter	Max Working Pressure
237728, Series B, <i>bare hose reel</i>	NA	none	none	N/A	N/A	1500 psi 10.2 MPa 102 bar
237875, Series A, <i>oil dispensing</i>	Overhead or truck/ tank	237871	237861	75 ft (22.9 m)	1/2 in. (12.7 mm)	
237879*, Series A, <i>oil dispensing</i>	Truck/tank	237873	237865	75 ft (22.9 m)	3/4 in. (19.1 mm)	
237881, Series A, <i>oil dispensing</i>	Overhead or truck/ tank	237873	237866	50 ft (15.2 m)	3/4 in. (19.1 mm)	
241910*, Series A, <i>oil dispensing and evacuation</i>	Truck/tank	237874	241908	50 ft (15.2 m)	1 in. (25.4 mm)	212 psi 1.5 MPa 15 bar
241909, Series A, <i>oil dispensing and evacuation</i>	Overhead or truck/ tank	237874	241907	30 ft (9.1 m)	1 in. (25.4 mm)	
237884*, Series A, <i>fuel dispensing</i>	Truck/tank	237874	249058	50 ft (15.2 m)	1 in. (25.4 mm)	125 psi 0.87 MPa 8.7 bar

* Truck/tank-mounted hose reels may require the hose/dispense valve be walked back into the hose reel for full retraction.

Symbols

Warning Symbol

WARNING

This symbol alerts you to the possibility of serious injury or death if you do not follow the instructions.

Caution Symbol

CAUTION

This symbol alerts you to the possibility of damage to or destruction of equipment if you do not follow the instructions.

WARNING



FIRE, EXPLOSION, and INJECTION HAZARD



This hose reel is designed to dispense lube products, air, water, transmission fluid, antifreeze, gasoline, and diesel fuel only. Any other use can cause unsafe operating conditions and result in component rupture, fire, or explosion, which could cause serious injury, including fluid injection.



WARNING



INSTRUCTIONS

EQUIPMENT MISUSE HAZARD

Equipment misuse can cause the equipment to rupture or malfunction and result in serious injury.

- This equipment is for professional use only.
- Read all instruction manuals, tags, and labels before operating the equipment.
- Use the equipment only for its intended purpose. If you are not sure, call your Graco distributor.
- Do not alter or modify this equipment. Use only genuine Graco parts and accessories. Modifying parts can cause a malfunction and result in serious bodily injury.
- Check equipment daily. Repair or replace worn or damaged parts immediately.
- Do not exceed the maximum working pressure of the lowest rated system component. Refer to the **Technical Data** on page 21 for the maximum working pressure of this equipment.
- Use fluids and solvents that are compatible with the equipment wetted parts. Refer to the **Technical Data** section of all equipment manuals. Read the fluid and solvent manufacturer's warnings.
- Do not use hoses to pull equipment.
- Route hoses away from traffic areas, sharp edges, moving parts, and hot surfaces. Do not expose hoses to temperatures above 82°C (180°F) or below -40°C (-40°F).
- Do not lift pressurized equipment.
- Comply with all applicable local, state, and national fire, electrical, and safety regulations.
- If you are adding a service hose and dispensing valve to a bare hose reel, be sure you know the maximum working pressure of all the components.



WARNING



SKIN INJECTION HAZARD

Fluid from the dispensing valve, leaks, or ruptured components can inject fluid into your body and cause extremely serious injury, including the need for amputation. Fluid splashed in the eyes or on the skin can also cause serious injury.

- Fluid injected into the skin might look like just a cut, but it is a serious injury. **Get immediate surgical treatment.**
- Do not point the dispensing valve at anyone or at any part of the body.
- Do not put your hand or fingers over the dispensing valve nozzle.
- Do not stop or deflect leaks with your hand, body, glove or rag.
- Follow the **Pressure Relief Procedure** on page 14 if the dispensing valve clogs and before cleaning, checking, or servicing the equipment.
- Tighten all fluid connections before operating the equipment.
- Check the hoses, tubes, and couplings daily. Replace worn or damaged parts immediately. Do not repair medium-pressure couplings; you must replace the entire hose.
- Do not attempt to force lubricant into a fitting. If the lubricant is not flowing, stop dispensing immediately; the fitting may be clogged.



TOXIC FLUID HAZARD

Hazardous fluid or toxic fumes can cause serious injury or death if inhaled, swallowed, splashed in the eyes, or splashed on the skin.

- Know the specific hazards of the fluid you are using.
- Store hazardous fluid in an approved container. Dispose of hazardous fluid according to all local, state and national guidelines.
- Always wear protective eyewear, gloves, clothing, and a respirator as recommended by the fluid and solvent manufacturer.

WARNING



FIRE AND EXPLOSION HAZARD

Improper grounding, poor ventilation, open flames, or sparks can cause a hazardous condition and result in a fire or explosion and serious injury.

- Be sure the entire fluid system is properly grounded. The hoses supplied with these hose reels are electrically conductive. The hose reel is grounded by connecting electrically conductive supply hoses to a properly grounded system. Refer to your pump instruction manual for complete details.
- If there is any static sparking or you feel an electric shock while using this equipment, **stop dispensing immediately**. Do not use the equipment until you identify and correct the problem.
- Provide fresh air ventilation to avoid the buildup of flammable fumes from solvents or the fluid being dispensed.
- Keep the dispensing area free of debris, including solvent, rags, and spilled gasoline.
- Do not smoke while dispensing flammable fluids.

Installation—Typical Layout

The installation shown in Fig.1 is only a guide for selecting and installing a hose reel system. The components and accessories shown are the minimum requirements for all systems; however, it is not an actual system design. Contact your Graco distributor for assistance in designing a system to suit your needs.

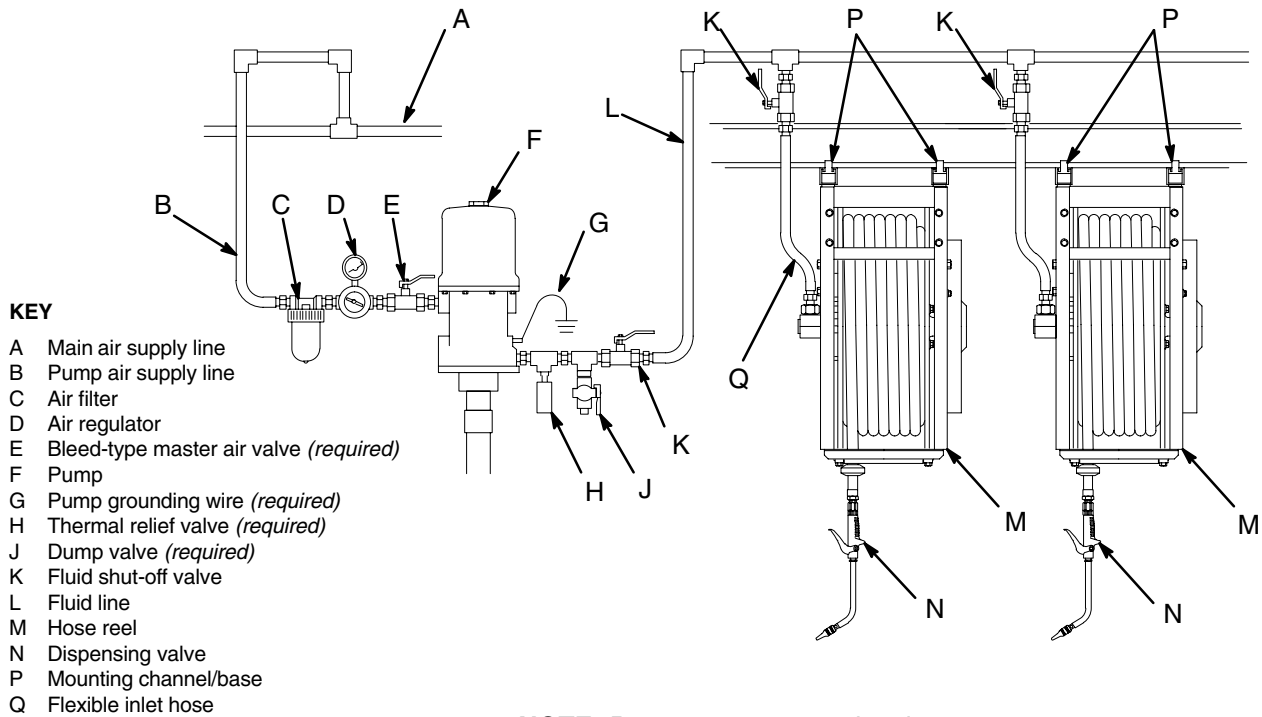


Fig. 1

05266

Installation–Accessories and Restrictions

NOTE: The air and fluid accessories for your pump must be properly sized to that pump. Refer to your specific pump manual for selecting pump accessories.

WARNING



FIRE, INJECTION, and ELECTRIC SHOCK HAZARD



Four accessories are required in your system: ground wire, bleed-type master air valve, thermal relief valve, and dump valve. These accessories help reduce the risk of serious injury, including fire, electric shock, and fluid injection or splashing in the eyes or on the skin. These accessories are shown in Fig. 1.

The ground wire (G) must be connected to the pump grounding lug and to a true earth ground according to your local code.

The bleed-type master air valve (E) relieves air trapped between itself and the pump after the air is shut off. Trapped air can cause the pump to cycle unexpectedly. Install the valve close to the pump.

The dump valve (J) relieves fluid pressure in the displacement pump, hose, and gun. Triggering the gun to relieve pressure may not be sufficient.

The thermal relief valve (H) relieves pressure in the fluid line caused by heat expansion.

Air Line Accessories

Install the following air line accessories in the order shown in Fig. 1, using adapters as necessary:

- **Bleed-type master air valve (E)**
Install downstream from the air regulator and close enough to the pump for easy access.
- **Air regulator (D)**
Controls pump speed and outlet pressure by adjusting the air pressure to the pump. Locate the regulator close to the pump but upstream from the bleed-type master air valve.
- **Air filter (C)**
Removes harmful dirt and moisture from the compressed air supply.

Fluid Line Accessories

Install the following fluid line accessories in the order shown in Fig. 1, using adapters as necessary:

- **Thermal relief valve (H)**
Install so that the outlet points down.
- **Dump valve (J)**
Install so that the outlet points down, and the handle points up when the valve is open.
- **Fluid shutoff valve (K)**
Shuts off fluid flow to the hose reel.
- **Dispensing valve (N)**
Dispenses the fluid.
- **Flexible inlet hose (Q)**
Fluid inlet must be from a flexible hose, **not** fluid piping.

Required Installation Accessories

Be sure you have these accessories before starting the installation.

- Reel mounting bases and mounting brackets (if not mounting on a truck)
- Dispensing valves

Mounting Restrictions

- Base-mounted hose rollers are for truck-mounted hose reels. Accessory roller support arms are available for overhead mounted hose reels. See **Roller Support Arm** for instructions on installing the roller support arm.
- Hose reel enclosures do not fit on these reels.

WARNING

To reduce the risk of injury when mounting a hose reel overhead, always use a lift truck. Position the hose reel so the mounting brackets are facing up. Using the lift truck, raise the hose reel as close to the I-beam as possible. Fasten the hose reel to the I-beam, and be sure it is secure before lowering the lift truck.

Installation–Roller Support Arm

Series 700 hose reels are shipped with the hose rollers bolted near the reel mounting base, which is the proper position for truck-mounted hose reels. To mount the reel overhead, use the accessory roller support arm kit (237944).

To install the accessory roller support arm, follow these steps (see Fig 2):

1. Clamp the hose reel to a flat surface.
2. Unwrap the hose so that it extends 3 ft (0.9 m) beyond the roller plate (28) while keeping the reel latched.

NOTE: Do not pull the hose out by rotating the reel. Spring tension must be at a minimum.

⚠ WARNING

Never allow the reel to spin freely. Doing so causes the hose to spin out of control, which could cause serious injury if you are hit by the hose.

3. Remove the roller plate from the hose reel base (14), and install the roller support arms (49).
4. Reattach the roller plate to the roller support arms, as shown in Fig. 2.
5. Reroute the hose through the hose rollers, as shown in Fig. 2.
6. Install the hose stop (48) and dispensing valve (not shown).
7. Unlatch the reel, and allow the hose to retract.

See **Mounting Options**, beginning on page 10, for additional installation procedures.

Overhead Reel Installation

To ensure retraction when the hose is at maximum extension, rotate ratchet (43) counter-clockwise one screw hole (60°).

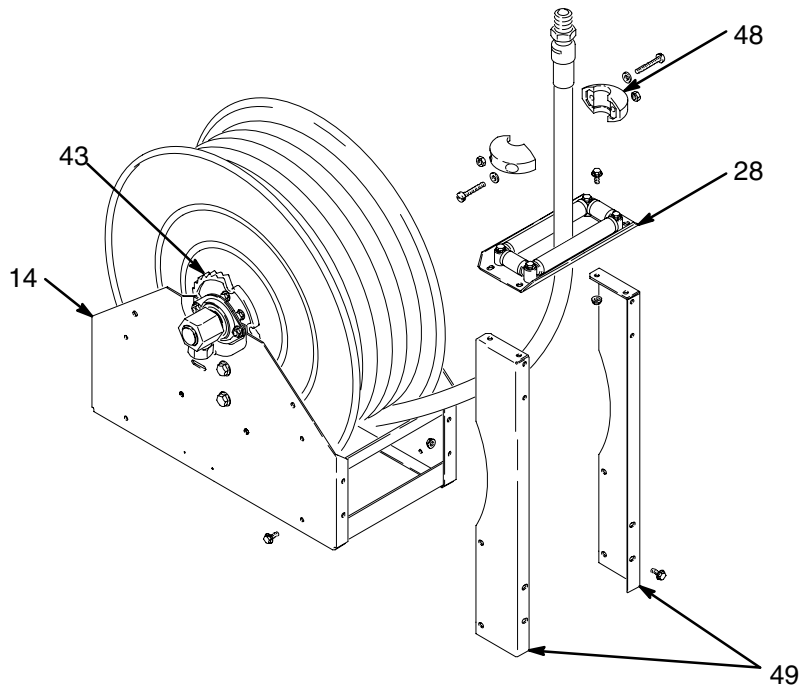


Fig. 2

05267

Installation–Mounting Options

All Mountings

NOTE: Always use large flat washers with the bolts you use to mount the hose reel pedestal to any surface.

WARNING

Be sure the mounting surface is strong enough to support the reel, the weight of the lubricants, and the stress caused by hard pulls on the service hoses. See page 21 for the dry weights of the various hose reel assemblies.

NOTE: All accessories mentioned are shown on page 20.

1. Select the reel mounting location.
 - a. For high ceilings, suspend a suitable support structure for the reels, so the hoses will be long enough to reach your service area.
 - b. A reel mounted in a one-lift service bay should be at least 6 ft (1.9 m) from the center line of the lift. See Fig. 3.
 - c. In a two-lift bay, mount the reel between the lifts and an equal distance from each lift. Oil reels should be mounted about 5 ft (1.5 m) from the center of the lift, toward the front of the lift rails. See Fig. 3.

2. If you are installing permanent supply lines, drill 1.5 in. (38 mm) diameter holes through the ceiling on the inlet side of the reels.

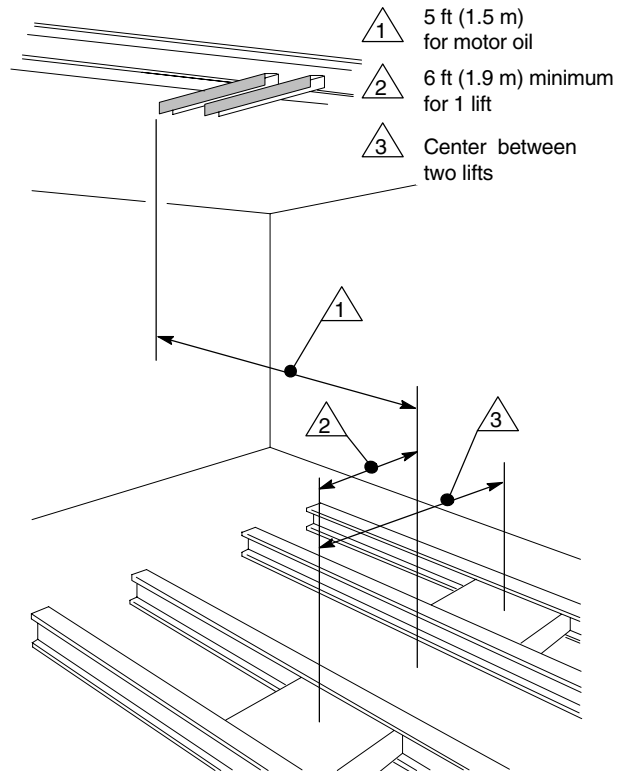


Fig. 3

1639

Installation–Mounting Options

Overhead Mounting to an I-Beam

NOTE: You should have the hose installed on the reel before you mount the reel overhead. See **Installing a Hose** on page 12 if you do not already have the hose installed on the reel.

1. Line up the four holes on the hose reel mounting base with the holes near the ends of the mounting brackets (A) (see Fig. 4), and securely bolt the hose reel to the mounting brackets.
2. Position and securely tighten the adjustable clamps (C) of the mounting brackets on the flanges of the I-beam (B).

WARNING

To reduce the risk of injury when mounting a hose reel overhead, always use a lift truck. Position the hose reel so the mounting brackets are facing up. Using the lift truck, raise the hose reel as close to the I-beam as possible. Fasten the hose reel to the I-beam, and be sure it is secure before lowering the lift truck.

3. Connect the supply line to the inlet of the reel.
4. Adjust the spring tension of the reel. See **Adjusting Spring Tension** on page 13.

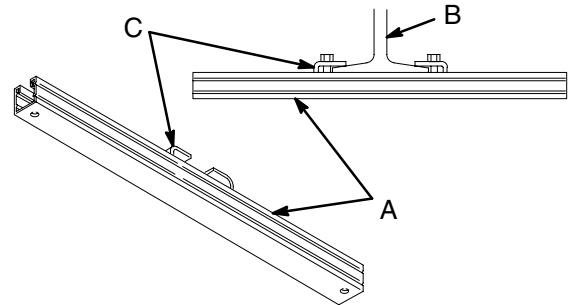


Fig. 4

05268

Installation–Hose

To install a hose on a hose reel with the proper amount of spring tension, follow these steps:

⚠ WARNING

Always wear heavy, non-slippery gloves when adjusting the spring tension to protect your hands from being cut on the hose reel.

1. Clamp the hose reel to a flat surface.
2. Place a piece of tape on the side of the reel flange as a visual reference point for counting reel rotations.
3. Unlatch the reel drum, and allow it to slowly rotate until all spring tension has been released. Then rotate the reel in the direction of the arrow shown in Fig. 5 to achieve the proper amount of spring tension for the hose you are installing. The table below shows the number of rotations required for each hose.

NOTE: Release the reel only at points where it is securely latched.

Hose Size	Recommended Number of Rotations*
1/2 in. X 75 ft (12.7 mm x 22.9 m)	22
3/4 in. X 50 ft (19.1 mm x 15.2 m)	20
3/4 in. X 75 ft (19.1 mm x 22.9 m)	22
1 in. X 30 ft (25.4 mm x 9.1 m)	18
1 in. X 50 ft (25.4 mm x 15.2 m)	21
* Do not exceed 22 rotations.	

4. Attach a C-clamp to the reel flange, as shown in Fig. 5, to help prevent the reel from unintentionally becoming unlatched and spinning freely.

⚠ WARNING

Never allow the reel to spin freely. Doing so causes the hose to spin out of control, which could cause serious injury if you are hit by the hose.

5. Uncoil and extend the new hose, and loosely install the hose stop (48) near the outlet end of the hose.
6. Attach the other end of the new hose to the 90-degree elbow (39).
7. Remove the C-clamp from the reel flange.
8. Pull the hose firmly enough to release the latch, then slowly allow the hose to retract.

NOTE: Truck/tank–mount reels (noted on page 3) may require the hose/dispense valve be walked back into the hose reel for full retraction.

9. Ensure that the hose can be pulled out all the way and that it fully retracts. If it does not pull out or retract properly, see **Adjusting Spring Tension** on page 13.
10. Position the hose stop so that the hose extends far enough for all operators to reach the dispensing valve.

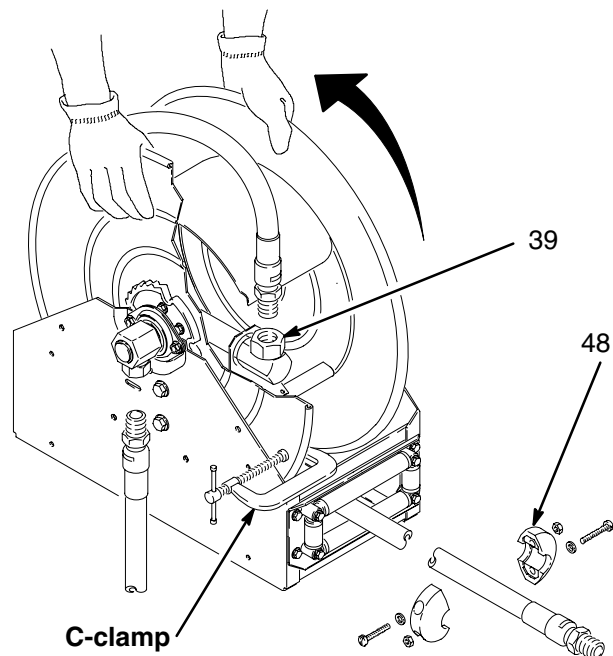


Fig. 5

05269

Installation–Adjusting Spring Tension

If the hose cannot be pulled out all the way, or if it does not retract all the way back onto the hose reel, you need to adjust the spring tension. To do so, follow these steps:

⚠ WARNING

Always wear heavy, non-slippery gloves when adjusting the spring tension to protect your hands from being cut on the hose reel.

1. Pull the hose out and engage the latch.
2. Remove the dispensing valve (not shown) and the hose stop (48). See Fig. 6.
3. Pull the loose end of the hose back in through the hose rollers, and manually wrap the hose onto the reel.
4. Rotate the reel in the direction of the appropriate arrow shown in Fig. 6, keeping the hose wrapped on the reel. Each rotation of the reel increases or decreases enough spring tension to retract or let out approximately 5 ft (1.5 m) of hose.

5. Check the spring tension. The hose must pull out fully and retract fully.

NOTE: Truck/tank–mount reels (noted on page 3) may require the hose/dispense valve be walked back into the hose reel for full retraction.

6. Repeat Steps 4 and 5 until you have the proper amount of spring tension.

⚠ CAUTION

Do not increase the spring tension so much that the spring winds up tightly before the hose is fully extended. A spring that is wound too tightly stops the reel from rotating before the hose is fully extended, which puts excessive strain on the hose and reel spring and could damage the reel.

7. Reroute the hose through the hose rollers, and reinstall the hose stop and dispensing valve.

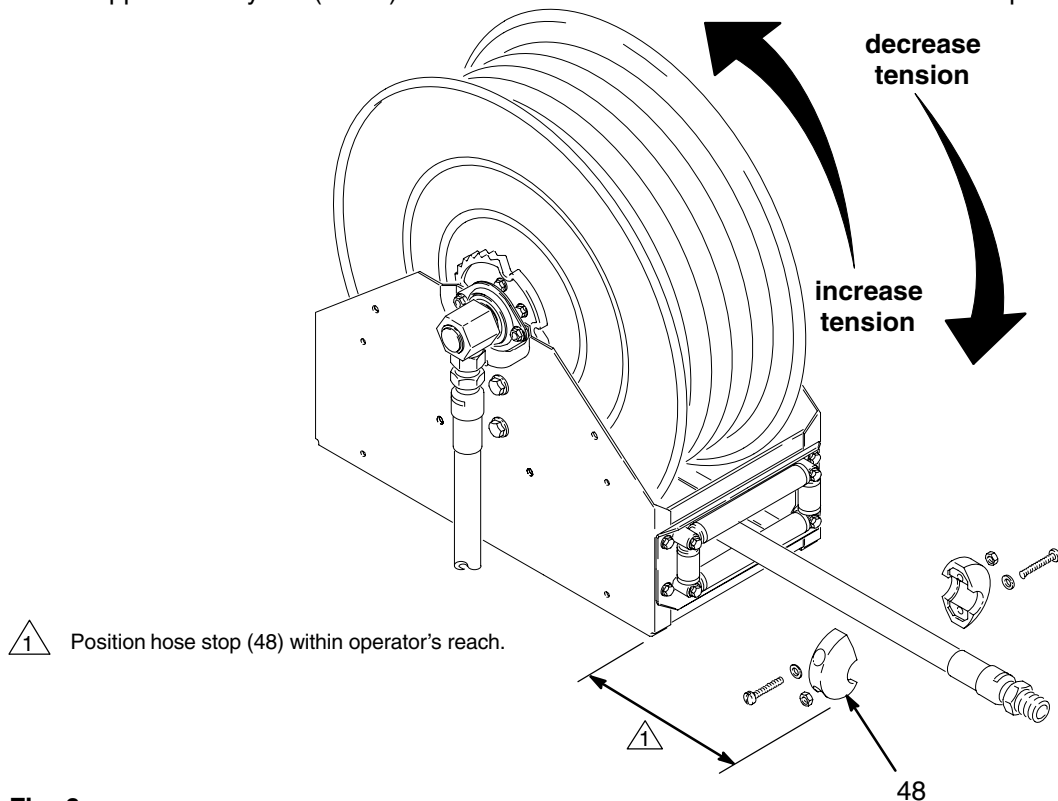


Fig. 6

05270

Maintenance

Pressure Relief Procedure

WARNING



INJECTION HAZARD

The system pressure must be manually relieved to prevent the system from dispensing accidentally. Fluid under high pressure can be injected through the skin and cause serious injury. To reduce the risk of an injury from injection, splashing fluid, or moving parts, follow the **Pressure Relief Procedure** whenever you

- Are instructed to relieve the pressure
- Stop dispensing
- Check or service any of the system equipment
- Install or clean the dispensing valve

1. Close the supply pump's bleed-type master air valve (required in pneumatic systems).
2. Open the dispensing valve until pressure is fully relieved.
3. Open the dump valve at the pump fluid outlet, and leave it open until you are ready to use the system again.

If you suspect that the dispensing valve or extension is clogged or that pressure has not been fully relieved after following all the steps above, very slowly loosen the coupler or hose end coupling, and allow pressure to be relieved gradually, then loosen the part completely. Then clear the clog.

Replacing the Service Hose

WARNING

To reduce the risk of serious injury whenever you are instructed to relieve pressure, always follow the **Pressure Relief Procedure** at left.

1. **Relieve the pressure** if you are replacing the service hose on a reel that is already truck mounted or overhead mounted. Then go to Step 3. Otherwise, start at Step 2.
2. Clamp the hose reel to a flat surface if you are replacing the service hose on a reel that is not mounted anywhere.
3. Fully extend the hose and latch the reel.
4. Attach a C-clamp to the reel flange to help prevent the reel from unintentionally becoming unlatched and spinning freely. See Fig. 7.

WARNING

Never allow the reel to spin freely. Doing so causes the hose to spin out of control, which could cause serious injury if you are hit by the hose.

5. Disconnect the service hose from the 90-degree elbow (39), and remove it.
6. Uncoil and extend the new hose, and install the hose stop (48) near the outlet end of the hose.

Service

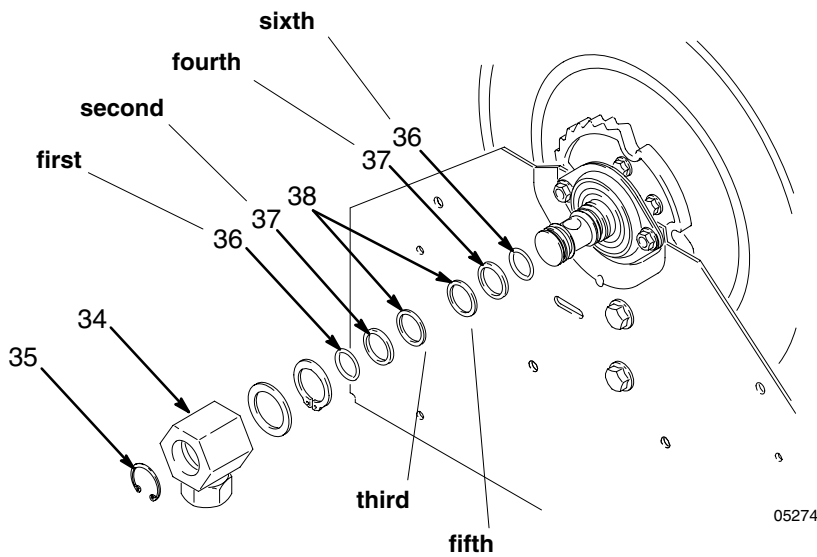
Swivel

⚠ WARNING

To reduce the risk of serious injury whenever you are instructed to relieve pressure, always follow the **Pressure Relief Procedure** on page 14.

1. Relieve the pressure.
2. Remove the retaining ring (35) and the swivel connector (34) (see Fig. 9).

3. Remove the o-rings (36), backup rings (37), and quad rings (38), and clean and inspect them for wear or damage.
4. Lubricate the new rings, shaft, and bearing surfaces with high-quality grease.
5. Install the parts as shown in Fig. 9.



Packing Detail

Install 36, 37, and 38 in the order shown at left.

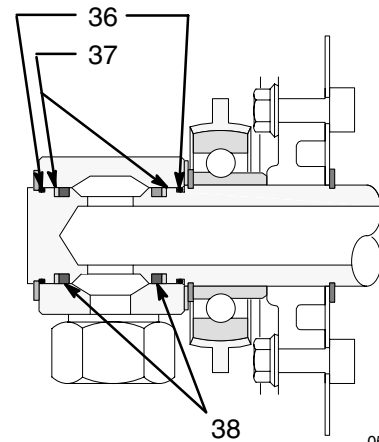


Fig. 9

Service

Spring Canister

To replace the spring canister, follow the steps below. **Do not** attempt to service the spring inside of the spring canister. Read the warning below regarding the spring hazard.

⚠ WARNING

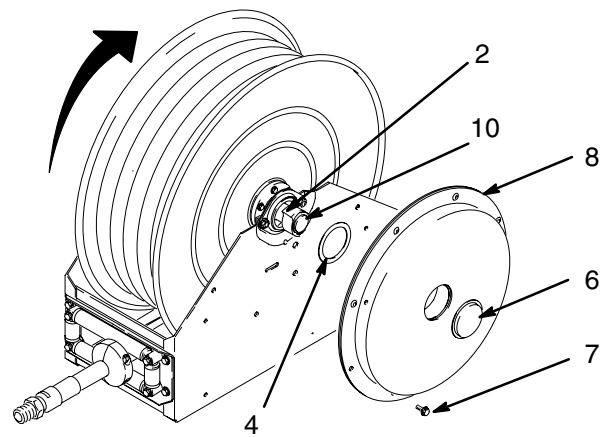
HOSE REEL SPRING HAZARD

The **only** service you should perform on the reel spring is replacing the spring canister. The spring is under extreme tension and could be propelled out of the opened canister and cause serious injury.

1. Ensure that the hose is fully retracted, to minimize spring tension.
2. Remove the four bolts (7) that hold the spring canister to the hose reel base. See Fig. 10.
3. Remove the old spring canister (8), and discard the whole unit.
4. Adhere new dust seal (4) to flat side of spring canister (8), concentric with center hole.
5. Install the new spring canister over the shaft (2) and hub (10). To make this installation easier, remove the plastic end cap (6).
6. Bolt the new spring canister to the base, and replace the plastic end cap.
7. Rotate the reel in the direction of the arrow shown in Fig.10 to achieve the proper amount of spring tension (see **Adjusting Spring Tension** on page 13 for the approximate number of rotations).

⚠ WARNING

Never allow the reel to spin freely. Doing so causes the hose to spin out of control, which could cause serious injury if you are hit by the hose.

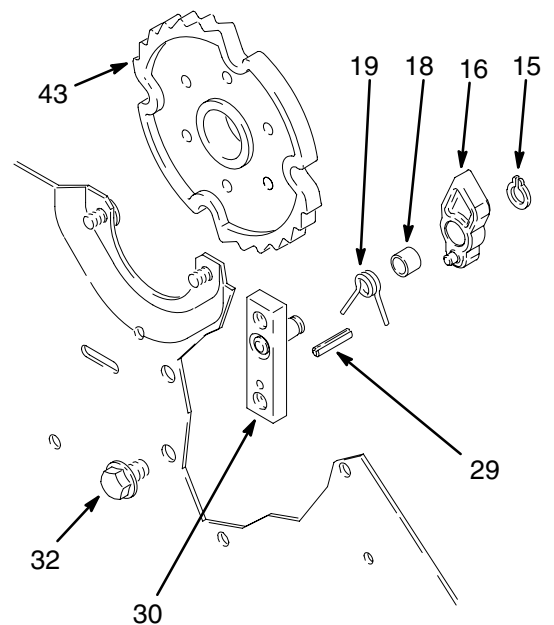


05275B

Fig. 10

Reel Ratchet and Dog

If the ratchet and dog malfunction or become sluggish, disassemble the mechanism. See Fig. 11. Clean and lubricate or replace the broken or worn components as necessary. See the **Parts List** on page 18 for part numbers and names.



05276B

Fig. 11

Parts List

Model 237728, Series B Bare Hose Reel

Ref No.	Part No.	Description	Qty	Ref No.	Part No.	Description	Qty
1	190725	SPOOL, hose	1	26	190377	TUBE, roller, 7.05 in.	2
2	190373	SHAFT, spring cannister	1	27	190363	PIN, roller	2
3	113267	KEY, square	1	28	190729	PLATE, roller	1
4†	113051	SEAL, dust	1	29	102005	PIN, spring	1
5▲†	290070	LABEL, warning	1	30	223962	BRACKET, latch	1
6†	112961	CAP, end	1	31	290019	LABEL, logo <i>(one on each side of base)</i>	2
7	110963	SCREW, cap, 5/16–18 x 3/4 in.	14	32	111802	SCREW, flange head, 1/2–13 x 0.75 in.	2
8	238112	Kit, spring replacement	1	33	112958	NUT, hex, flanged	2
9	106082	RING, retaining, external	3	34	112951	CONNECTOR, swivel	1
10	178681	HUB, reel	1	35	112938	RING, retaining, external	1
11	177679	WASHER, retaining	5	36*	166080	PACKING, o-ring	2
12	112954	FLANGE, bearing	4	37*	112956	PACKING, backup ring	2
13	112953	BEARING, ball	2	38*	112952	RING, quad ring	2
14	190726	BASE, hose reel	1	39	112955	ELBOW, female, 90-degree	1
15	101079	RING, retaining	1	40	104859	SCREW, pan head, #10 x .375	2
16	276382	RATCHET DOG	1	41	190364	BRACKET	1
18	110974	BEARING	1	42	237654	SHAFT, reel,	1
19	186583	SPRING, torsion	1	43	276367	RATCHET	1
20	110996	NUT, flange head, 5/16–18	8	44	112586	SCREW, flange head, 5/16–18 x 1 in.	6
21	167030	PIN, roller	2	45	190367	TEMPLATE, mounting <i>(not shown)</i>	1
22	190376	CAP, roller	8	46	113994	WASHER, wave	1
23	190378	TUBE, roller, 1.48 in.	2				
24	190361	POST, corner	4				
25	112960	SCREW, cap, flange head, 5/16–18 x 1.75 in.	4				

* These parts are also included in repair kit 237901, which may be purchased separately. Keep a repair kit on hand to reduce down time.

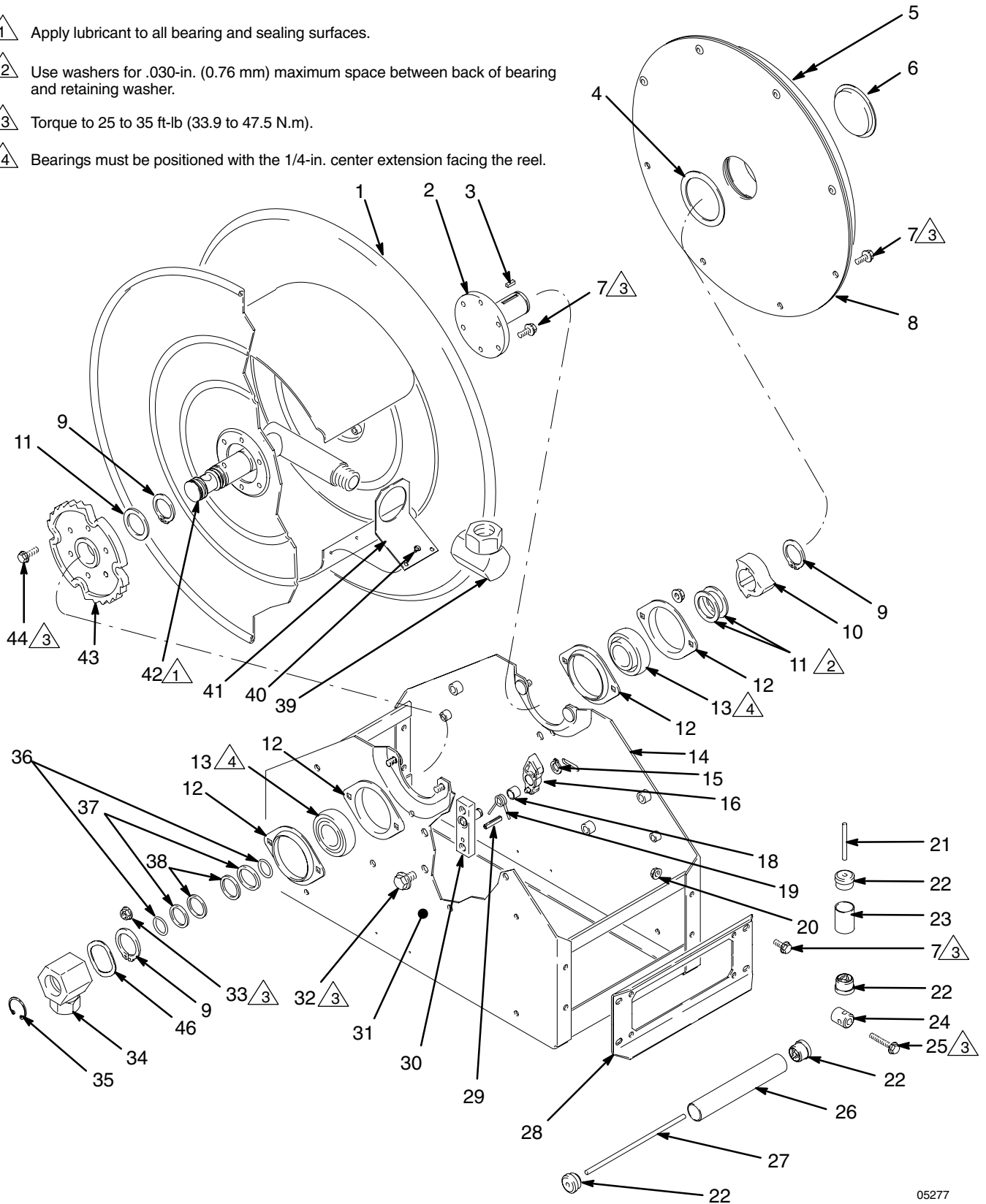
▲ Extra warning labels are available for free.

† These parts are also included in Spring Replacement Kit 238112.

Parts Drawing

Model 237728, Series B Bare Hose Reel

- △1 Apply lubricant to all bearing and sealing surfaces.
- △2 Use washers for .030-in. (0.76 mm) maximum space between back of bearing and retaining washer.
- △3 Torque to 25 to 35 ft-lb (33.9 to 47.5 N.m).
- △4 Bearings must be positioned with the 1/4-in. center extension facing the reel.



05277

Accessories

Must be purchased separately. Use only genuine Graco parts and accessories.

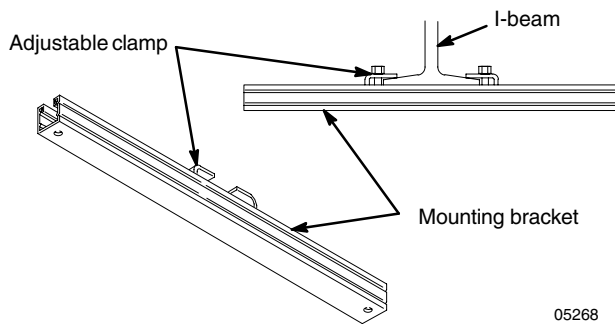
Identification Labels 180698

Sheet of 14 sticky-back labels for labeling hose reels. Includes labels for the following:

SAE 10-40	SAE 20W	HYDRAULIC	AIR
SAE 10-30	SAE 30W	ANTI-FREEZE	ATF
SAE 5-40	DEXRON	CHASSIS	
SAE 10W	WATER	GEAR	

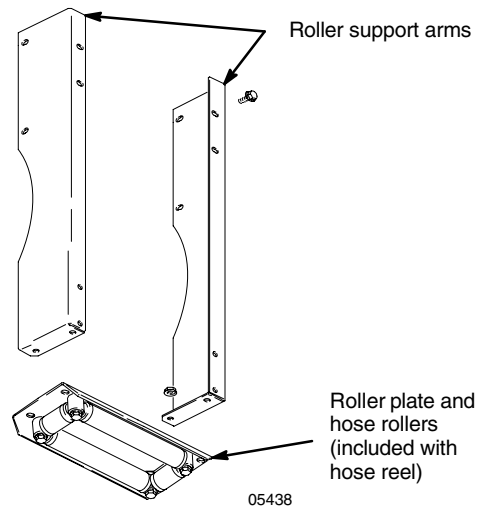
Reel Mounting Kit 237932

Secures mounting base to I-beam without the need for drilling holes in the I-beam. Two brackets hold one Series 700 hose reel. The mounting brackets fit all standard I-beams with flanges up to 7 in. (178 mm). Mount the brackets to the hose reel before securing them to the I-beam.



Roller Support Kit 237944

Positions the roller plate for overhead installations and enables the hose to hang straight down through the hose rollers.

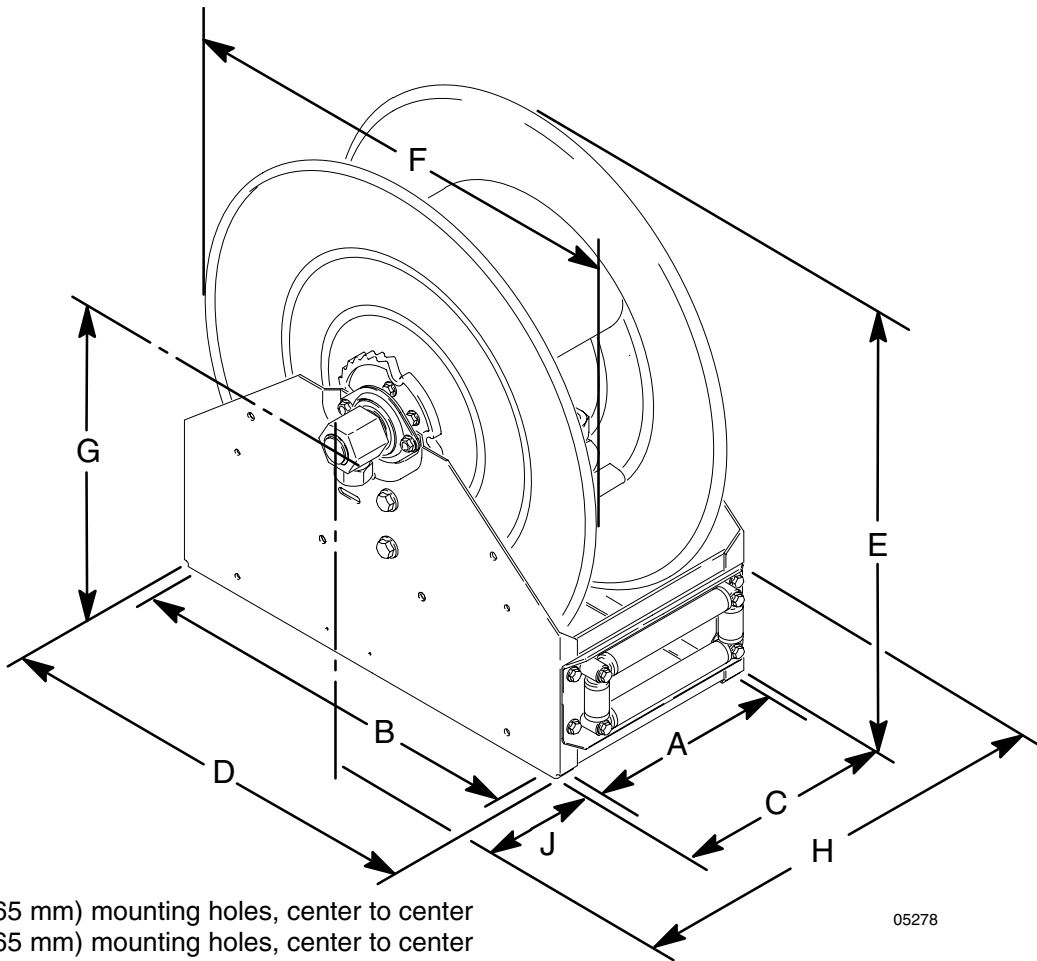


Technical Data

Maximum working pressure	
Models 237728, 237875, 237879, 237881	1500 psi (10 MPa, 102 bar)
Models 241909, 241910	212 psi (1.5 MPa, 15 bar)
Model 237884	125 psi (0.87 MPa, 8.7 bar)
Inlet size	1 npt(f)
Outlet size	1 npsm(f)
* Maximum sound pressure	81 dB(A)
Operating temperature	-40° F to 160° F (-40° C to 82° C)
Bearings	carbon steel
Wetted parts	carbon steel, fluoroelastomer
Dry weights	
Model 237728	103 lb (46.8 kg)
Model 237875	124 lb (56.3 kg)
Model 237879	143 lb (64.9 kg)
Model 237881	130 lb (59.0 kg)
Model 241910	139 lb (63.1 kg)
Model 241909	125 lb (56.8 kg)
Model 237884	134 lb (60.8 kg)

* *Sound pressure was measured per ISO 3744 at assumed maximum retraction rate at assumed operator position.*

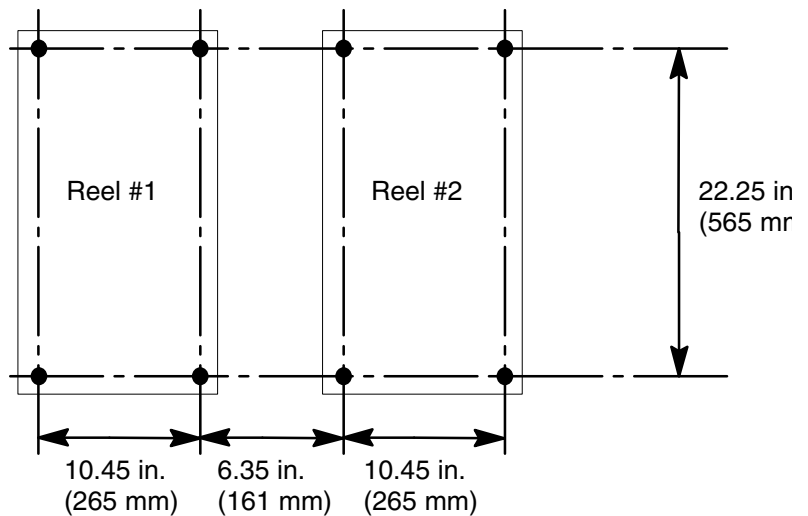
Dimensions



05278

- A 10.45 in. (265 mm) mounting holes, center to center
- B 22.25 in. (565 mm) mounting holes, center to center
- C 11.83 in. (300 mm) base width
- D 24.00 in. (609 mm) base length
- E 26.25 in. (667 mm) total height
- F 25.00 in. (635 mm) reel diameter
- G 13.60 in. (345 mm) swivel height
- H 15.80 in. (401 mm) total width, swivel to spring canister
- J 2.20 in. (56 mm) swivel to base

Mounting Hole Pattern for 1-in. (25.4 mm) Clearance Between Hose Reels



Graco Standard Warranty

Graco warrants all equipment manufactured by Graco and bearing its name to be free from defects in material and workmanship on the date of sale to the original purchaser for use. With the exception of any special, extended, or limited warranty published by Graco, Graco will, for a period of twelve months from the date of sale, repair or replace any part of the equipment determined by Graco to be defective. This warranty applies only when the equipment is installed, operated and maintained in accordance with Graco's written recommendations.

This warranty does not cover, and Graco shall not be liable for general wear and tear, or any malfunction, damage or wear caused by faulty installation, misapplication, abrasion, corrosion, inadequate or improper maintenance, negligence, accident, tampering, or substitution of non-Graco component parts. Nor shall Graco be liable for malfunction, damage or wear caused by the incompatibility of Graco equipment with structures, accessories, equipment or materials not supplied by Graco, or the improper design, manufacture, installation, operation or maintenance of structures, accessories, equipment or materials not supplied by Graco.

This warranty is conditioned upon the prepaid return of the equipment claimed to be defective to an authorized Graco distributor for verification of the claimed defect. If the claimed defect is verified, Graco will repair or replace free of charge any defective parts. The equipment will be returned to the original purchaser transportation prepaid. If inspection of the equipment does not disclose any defect in material or workmanship, repairs will be made at a reasonable charge, which charges may include the costs of parts, labor, and transportation.

THIS WARRANTY IS EXCLUSIVE, AND IS IN LIEU OF ANY OTHER WARRANTIES, EXPRESS OR IMPLIED, INCLUDING BUT NOT LIMITED TO WARRANTY OF MERCHANTABILITY OR WARRANTY OF FITNESS FOR A PARTICULAR PURPOSE.

Graco's sole obligation and buyer's sole remedy for any breach of warranty shall be as set forth above. The buyer agrees that no other remedy (including, but not limited to, incidental or consequential damages for lost profits, lost sales, injury to person or property, or any other incidental or consequential loss) shall be available. Any action for breach of warranty must be brought within two (2) years of the date of sale.

Graco makes no warranty, and disclaims all implied warranties of merchantability and fitness for a particular purpose in connection with accessories, equipment, materials or components sold but not manufactured by Graco. These items sold, but not manufactured by Graco (such as electric motors, switches, hose, etc.), are subject to the warranty, if any, of their manufacturer. Graco will provide purchaser with reasonable assistance in making any claim for breach of these warranties.

In no event will Graco be liable for indirect, incidental, special or consequential damages resulting from Graco supplying equipment hereunder, or the furnishing, performance, or use of any products or other goods sold hereto, whether due to a breach of contract, breach of warranty, the negligence of Graco, or otherwise.

FOR GRACO CANADA CUSTOMERS

The parties acknowledge that they have required that the present document, as well as all documents, notices and legal proceedings entered into, given or instituted pursuant hereto or relating directly or indirectly hereto, be drawn up in English. Les parties reconnaissent avoir convenu que la rédaction du présente document sera en Anglais, ainsi que tous documents, avis et procédures judiciaires exécutés, donnés ou intentés à la suite de ou en rapport, directement ou indirectement, avec les procédures concernées.

Graco Information

TO PLACE AN ORDER, contact your Graco distributor, or call one of the following numbers to identify the distributor closest to you:

1-800-533-9655 Toll Free

612-623-6928

612-378-3590 Fax

All written and visual data contained in this document reflects the latest product information available at the time of publication. Graco reserves the right to make changes at any time without notice.

This manual contains English. MM 308546

Graco Headquarters: Minneapolis
International Offices: Belgium, Korea, China, Japan

www.graco.com

08/1995, Revised March 2012